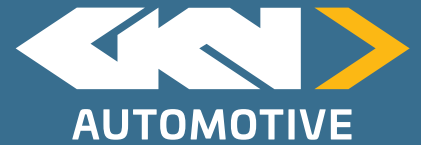
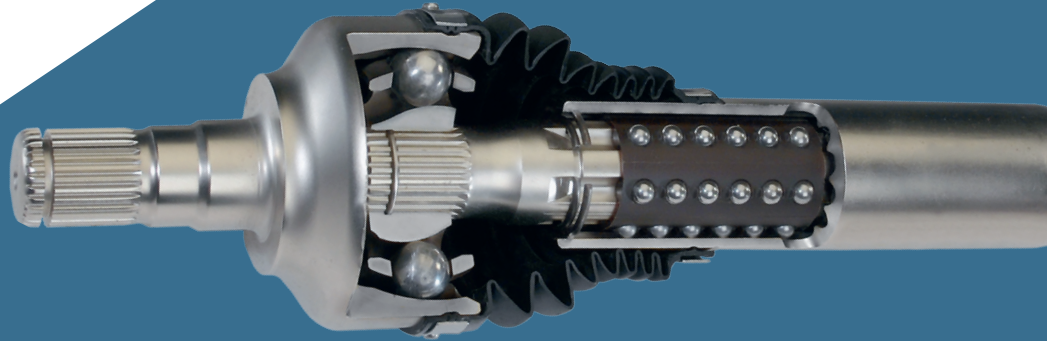


# GKN Automotive Aftermarket Business



*Only we provide patented  
OE joint technology to the  
automotive aftermarket!*



*GKN Automotive SX joints -  
High performance in the smallest  
possible size and weight*

- The OE deflection angle of up to 52° can only be reached with patented GKN technology
- Preservation of all OE characteristics even after repair: identical steering geometry, max steering angle and performance with the same joint dimensions

*No alternative! GKN TPE boots*

*TPE boots ex factory and rubber boots for repair?  
A clear NO to compromise! If TPE boots are installed on  
the original shaft then only TPE boots (by GKN  
Automotive) may be used for repair.*

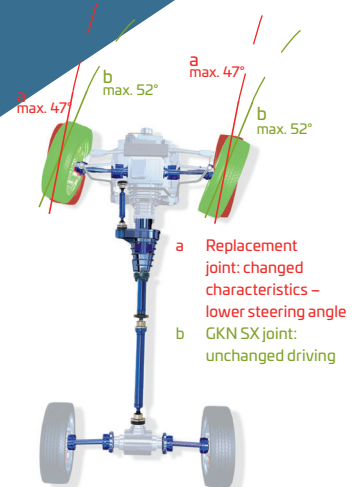
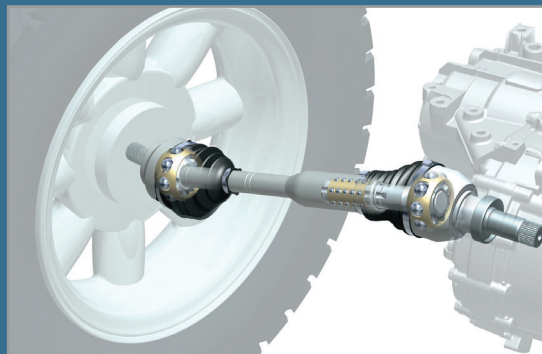
- Only GKN TPE boots guarantee firm, durable fit on the profile shaft
- High operating temperatures up to 140 °C
- High impact resistance and rotational stability

*Ballspline –  
The technology for extreme conditions*

- Extreme displacement length of 70mm and more, independent of deflection angle
- High accuracy and stability, even at high speeds and high acceleration or deceleration

*No compromise on safety and  
comfort – Complete propshafts for all vehicle  
categories*

- Minimum levels of Noise Vibration Harshness (NVH)
- Crash-optimised shafts to OE specification



Exclusive agent for  
North America |  
[www.atlanticim.com](http://www.atlanticim.com)

*Ideas in Motion* ➤